



M.S.KENNEDY CORP.

75 VOLT 10 AMP H-BRIDGE PWM MOTOR DRIVER/AMPLIFIER

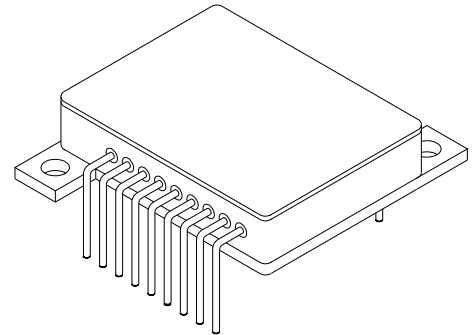
4203

4707 Dey Road Liverpool, N.Y. 13088

(315) 701-6751

FEATURES:

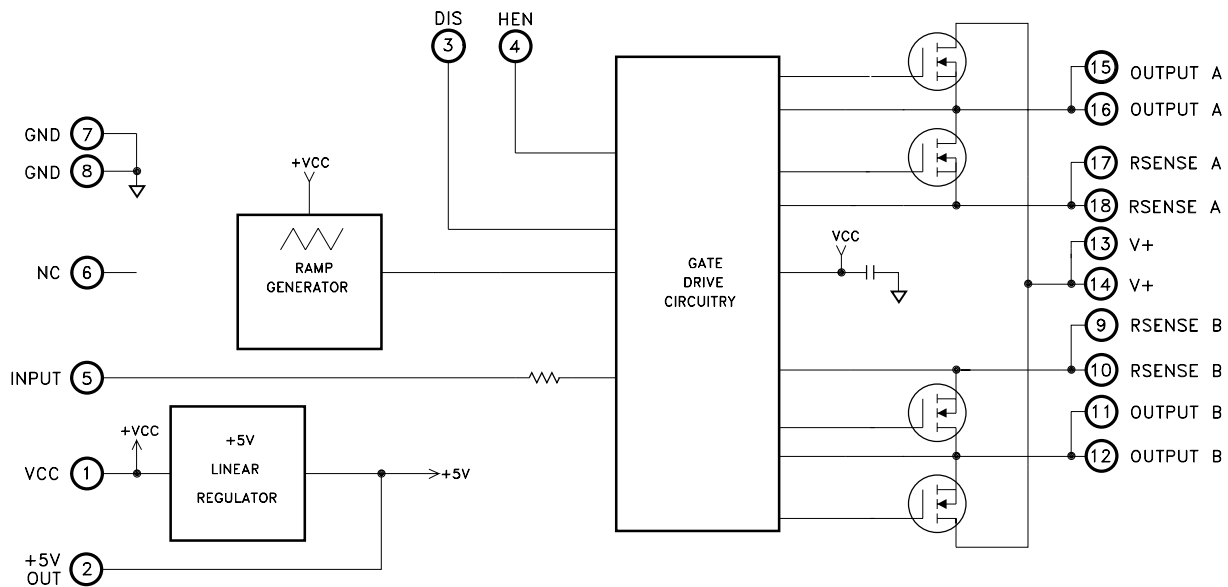
- 75 Volt, 10 Amp Capability
- Self-Contained Smart Lowside/Highside Drive Circuitry
- Internal PWM Generation, Shoot-through Protection
- Isolated Case Allows Direct Heatsinking
- On Board 5 Volt Regulator
- Available Fully Screened To MIL-PRF-38534 Class H
- Logic Level High Side Enable Control
- Logic Level Disable Input
- Contact MSK for MIL-PRF-38535 Qualification Status



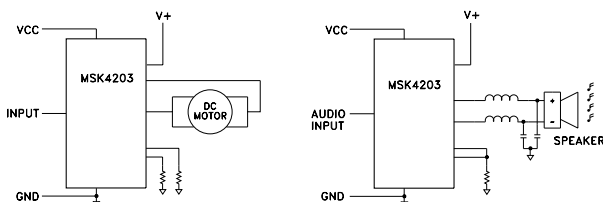
DESCRIPTION:

The MSK 4203 is a complete H-Bridge hybrid intended for use in DC brushed motor control applications or Class D switchmode amplification. All of the drive/control circuitry for the lowside and highside switches are internal to the hybrid, as well as a +5V linear regulator. The PWM circuitry is internal as well, leaving the user to only provide an analog signal for the motor speed/direction, or audio signal for switchmode audio amplification. The MSK 4203 is packaged in a space efficient isolated 18 pin power package available in three lead form configurations that can be directly connected to a heatsink.

EQUIVALENT SCHEMATIC



TYPICAL APPLICATIONS



ELECTRICAL SPECIFICATIONS

Parameter	Test Conditions ①	Group A Subgroup ④	MSK4203H/E ③ ⑤			MSK4203 ⑤			Units
			Min.	Typ.	Max.	Min.	Typ.	Max.	
OUTPUT CHARACTERISTICS									
VDS (ON) Voltage (Each Mosfet)	ID = 10A	1	-	0.5	1.0	-	0.5	1.2	V
		2	-	1.0	2.0	-	-	-	V
		3	-	1.0	2.0	-	-	-	V
Instantaneous Forward Voltage (Each Intrinsic Diode)	IS = 10A	1	-	1.1	1.8	-	1.1	2.0	V
		2	-	1.2	1.9	-	-	-	V
		3	-	1.0	1.9	-	-	-	V
RDS (ON) (Each Mosfet) ②⑥	ID = 10A TC = 125°C	-	-	0.07	0.13	-	0.07	0.13	Ω
Leakage Current, Each Mosfet	V+ = 75V	1	-	25	50	-	25	100	μA
		2 ②	-	100	500	-	-	-	μA
		3 ②	-	25	50	-	-	-	μA
PWM Frequency		4,5,6	40	45	50	40	45	50	KHz
VCC SUPPLY CHARACTERISTICS									
Quiescent Current	VIN = 6V	1,2,3	-	25	45	-	25	50	mA
+ 5V Output	IOUT = 0mA	1,2,3	4.9	5.0	5.1	4.85	5.0	5.15	V
	IOUT = 100mA	1,2,3	4.85	5.0	5.15	4.8	5.0	5.2	V
OUTPUT DUTY CYCLE									
	VIN = 6V (Both Outputs)	4,5,6	40	50	60	40	50	60	%
	VIN = 9.5V AOUT = 100% Duty Cycle BOUT = 0% Duty Cycle	7	-	-	-	-	-	-	P/F
	VIN = 2.5V AOUT = 0% Duty Cycle BOUT = 100% Duty Cycle	7	-	-	-	-	-	-	P/F
Analog Input Current ②		-	-	-	5	-	-	5	μAmp
SWITCHING CHARACTERISTICS ②									
Rise Time		4	-	40	50	-	40	50	mSec
Fall Time		4	-	10	20	-	10	20	mSec
Dead Time	RL = 1KΩ	4	-	45	-	-	45	-	mbSec
LOGIC CONTROL INPUTS ②									
DIS Input	VDIS = LOW	1,2,3	-	-	0.8	-	-	0.8	V
	VDIS = HIGH	1,2,3	2.7	-	-	2.7	-	-	V
	Input Current (High or Low)	1,2,3	-	-	150	-	-	150	μAmp
HEN Input	VHEN = LOW	1,2,3	-	-	0.8	-	-	0.8	V
	VHEN = HIGH	1,2,3	2.7	-	-	2.7	-	-	V
	Input Current (High or Low)	1,2,3	-	-	300	-	-	300	μAmp

NOTES:

- ① VCC = 12V, V+ = 28V, RSENSE A,B = Ground, DIS = 0V, HEN = NC unless otherwise specified.
- ② Guaranteed by design but not tested. Typical parameters are representative of actual device performance but are for reference only.
- ③ Devices shall be 100% tested to subgroups 1,2,3 and 4. Subgroup 5 and 6 testing available upon request.
- ④ Subgroup 1,4,7 TA = TC = +25°C
2,5 TA = TC = +125°C
3,6 TA = TC = -55°C
- ⑤ Industrial grade and "E" suffix devices shall be 100% tested at 25°C only.
- ⑥ The internal on resistance is for the die only. This should be used for thermal calculations only.

ABSOLUTE MAXIMUM RATINGS ^①

V+	High Voltage Supply ^②	75V	T _{ST}	Storage Temperature Range	-65° C to + 150° C
V _{CC}	Logic Supply	16V	T _{LD}	Lead Temperature Range (10 Seconds)	300° C
I _{OUT}	Continuous Output Current	10A	T _c	Case Operating Temperature	
I _{PK}	Peak Output Current	23A		MSK4203H/E	-55° C to + 125° C
V _{OUT}	Output Voltage Range	GND-2V min. to V+ max.		MSK4203	-40° C to + 125° C
I _{OUT}	(+ 5V Regulator)	500mA	T _J	Junction Temperature	+ 175° C
V _{IN}	Input Voltage	V _{CC}	θ _{Jc}	Thermal Resistance	
V _L	Logic Input Voltage (HEN,DIS)	OV to V _{CC}		(Output FETS @ 125° C)	3.9° C/W
				(+ 5Vout Regulator @ 125° C)	18° C/W

NOTE:

- ① Continuous operation at or above absolute maximum ratings may adversely effect the device performance and /or life cycle.
- ② When applying power to the device, apply the low voltage followed by the high voltage or alternatively, apply both at the same time. Do not apply high voltage without low voltage present.

APPLICATION NOTES

MSK 4203 PIN DESCRIPTIONS

VCC - Is the low voltage supply for powering internal logic and drivers for the lowside and highside MOSFETS. The supplies for the highside drivers are derived from this voltage. The + 5V regulator also gets its supply voltage from this pin. Optimum operation occurs with Vcc set at 12V.

V+ - Is the high voltage H-bridge supply. The MOSFETS obtain the drive current from this supply pin. The voltage on this pin is limited by the drive IC. The MOSFETS are rated at 100 volts. Proper bypassing to GND with sufficient capacitance to suppress any voltage transients, and ensure removal of any drooping during switching, should be done as close to the pins on the hybrid as possible.

OUTPUT A - Is the output pin for one half of the bridge. Increasing the input voltage causes increased duty cycles at this output.

OUTPUT B - Is the output pin for the other half of the bridge. Decreasing the input voltage causes increased duty cycles at this output.

RSENSE A - Is the connection for the bottom of the A half bridge. This can have a sense resistor connected to the V+ return ground for current limit sensing, or can be connected directly to ground. The maximum voltage on this pin is ± 2 volts with respect to GND.

RSENSE B - Is the connection for the bottom of the B half bridge. This can have a sense resistor connected to the V+ return ground for current limit sensing, or can be connected directly to ground. The maximum voltage on this pin is ± 2 volts with respect to GND.

GND - Is the return connection for the input logic and Vcc.

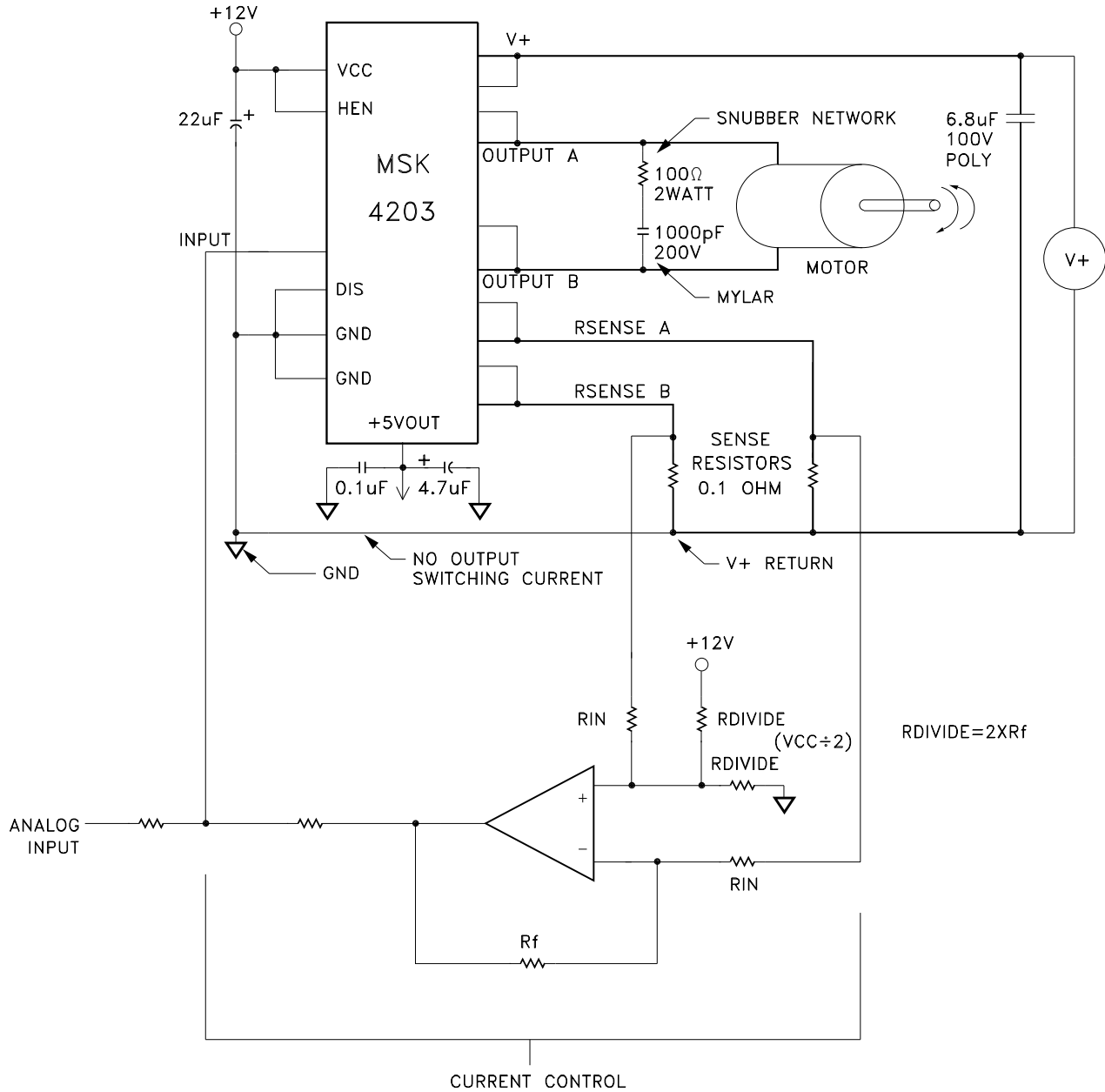
INPUT - Is an analog input for controlling the PWM pulse width of the bridge. A voltage higher than 6V will produce greater than 50% duty cycle pulses out of OUTPUT A. A voltage lower than 6V will produce greater than 50% duty cycle pulses out of OUTPUT B.

DIS - Is the connection for disabling all 4 output switches. DIS high overrides all other inputs. When taken low, everything functions normally. An internal pullup to Vcc will keep DIS high if left unconnected. This pin should be grounded if not used.

HEN - Is the connection for enabling the high side output switches. When taken low, HEN overrides other inputs and the high side switches remain off. When HEN is high, everything functions normally. An internal pullup to Vcc will keep HEN high if left unconnected.

+ 5V OUT- Is the output of the internal linear regulator. This pin should be bypassed to GND using a 4.7µF tantalum capacitor and a 0.1µF ceramic capacitor. This pin can supply up to 500mA of output current for powering other external circuitry, depending on case temperature and input voltage.

TYPICAL SYSTEM OPERATION

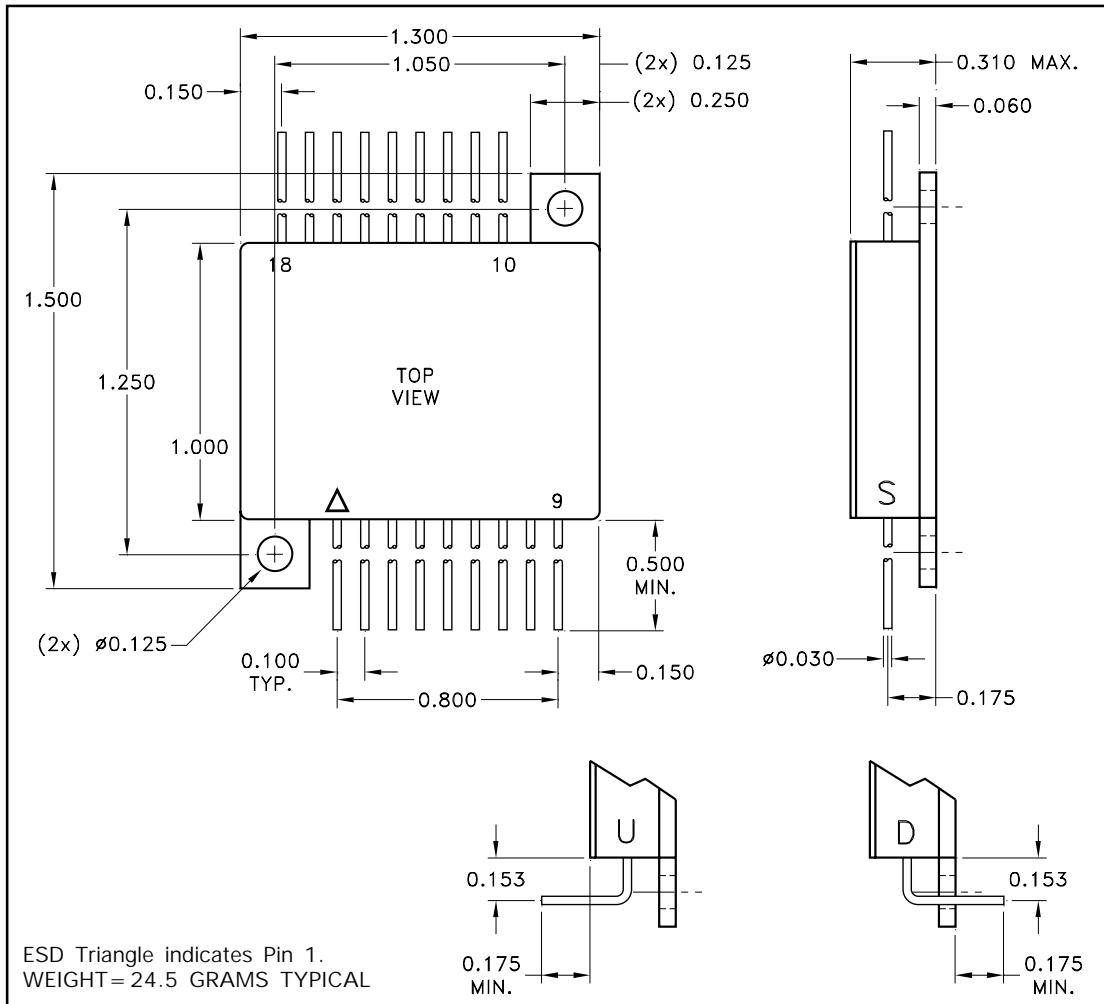


This is a diagram of a typical application of the MSK 4203. The design Vcc voltage is + 12 volts and should have a good low ESR bypass capacitor such as a tantalum. The analog input can be an analog speed control voltage from a potentiometer, other analog circuitry or by microprocessor and a D/A converter. This analog input gets pulled by the current control circuitry in the proper direction to reduce the current flow in the bridge if it gets too high. The gain of the current control amplifier will have to be set to obtain the proper amount of current limiting required by the system.

Current sensing is done in this case by a 0.1 ohm sense resistor to sense current from both legs of the bridge separately. It is important to make the high current traces as big as possible to keep inductance down. The storage capacitor connected to the V+ and the hybrid should be large enough to provide the high energy pulse without the voltage sagging too far. A low ESR ceramic capacitor or large polypropylene capacitor will be required. Mount capacitor as close to hybrid as possible. The connection between GND and the V+ return should not be carrying any motor current. The sense resistor signal is common mode filtered as necessary to feed the limiting circuitry for the microprocessor. This application will allow full four quadrant torque control for a closed loop servo system.

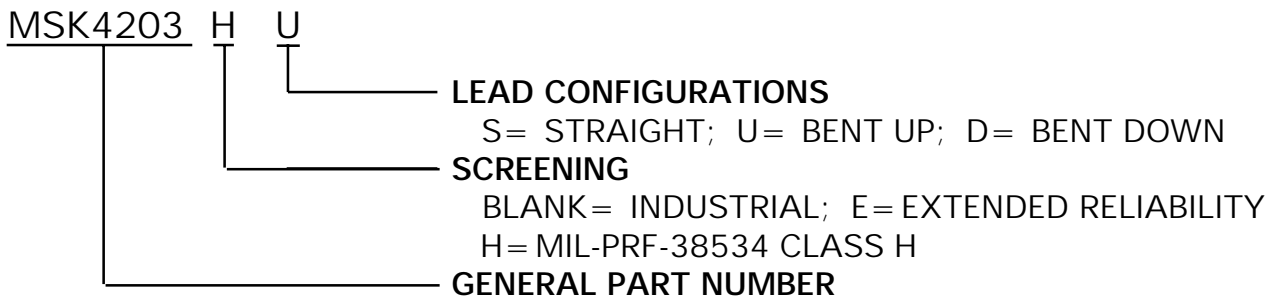
A snubber network is usually required, due to the inductance in the power loop. It is important to design the snubber network to suppress any positive spikes above 75V and negative spikes below -2V with respect to GROUND.

MECHANICAL SPECIFICATIONS



ALL DIMENSIONS ARE ± 0.01 INCHES UNLESS OTHERWISE LABELED

ORDERING INFORMATION



The above example is a Military grade class H hybrid with leads bent up.

M.S. Kennedy Corp.
4707 Dey Road, Liverpool, N.Y. 13088
Phone (315) 701-6751
FAX (315) 701-6752
www.mskennedy.com

The information contained herein is believed to be accurate at the time of printing. MSK reserves the right to make changes to its products or specifications without notice, however, and assumes no liability for the use of its products. Please visit our website for the most recent revision of this datasheet. Contact MSK for MIL-PRF-38534 qualification status.