

Surface Mount Attenuator 60 Watts, 30dB



Description

The XRA60CC30SES is high performance Aluminum Nitride (AlN) surface mount attenuator. This attenuator is designed particularly for LTE and 5G frequency bands and is well suited for all other cellular frequency bands such as; AMPS, GSM, DCS, PCS, PHS and UMTS. This attenuator is also RoHS compliant!

General Specifications

Resistive Element	Thick film
Substrate	AlN Ceramic
Terminal Finish	Matte Tin over Nickel Barrier
Operating Temperature	-55 to +150°C (see de rating chart)

Tolerance is $\pm 0.010"$, unless otherwise specified. Designed to meet or exceed applicable portions of MIL-E-5400. **All dimensions in inches.**

Electrical Specifications

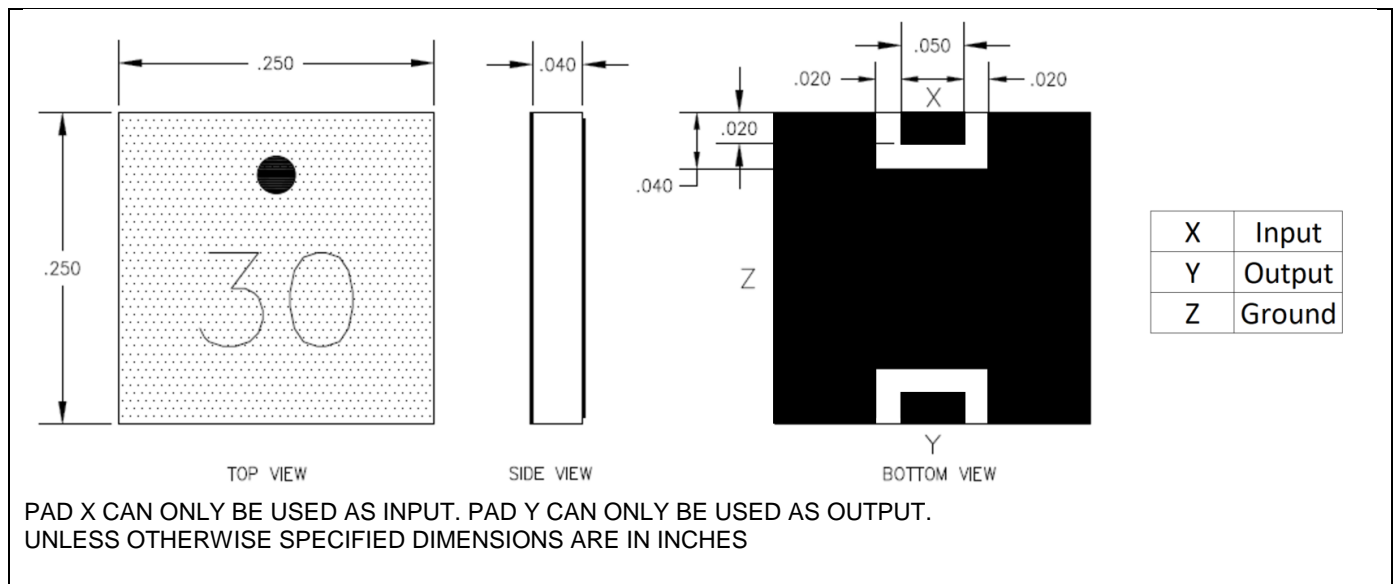
Attenuation Value:	30.5 dB	± 2.0 dB (DC – 2.3 GHz)
		± 1.5 dB (2.3 – 5.0 GHz)
		± 3.5 dB (5.0 – 6.0 GHz)
Power:	60 Watts	
Frequency Range:	DC – 6.0 GHz	
Input Return Loss:	20 dB (DC – 5.0 GHz)	
	16 dB (5.0 – 6.0 GHz)	

Specification based on unit properly installed using suggested mounting instructions and a 50 ohm nominal impedance. **Specifications subject to change.**

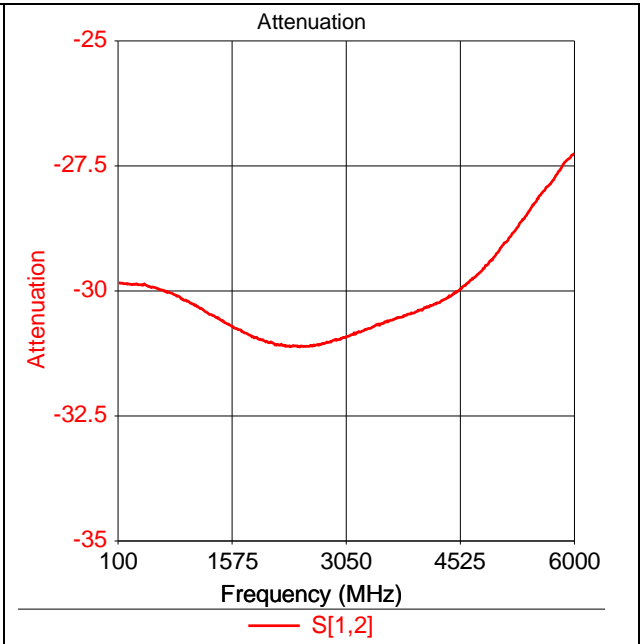
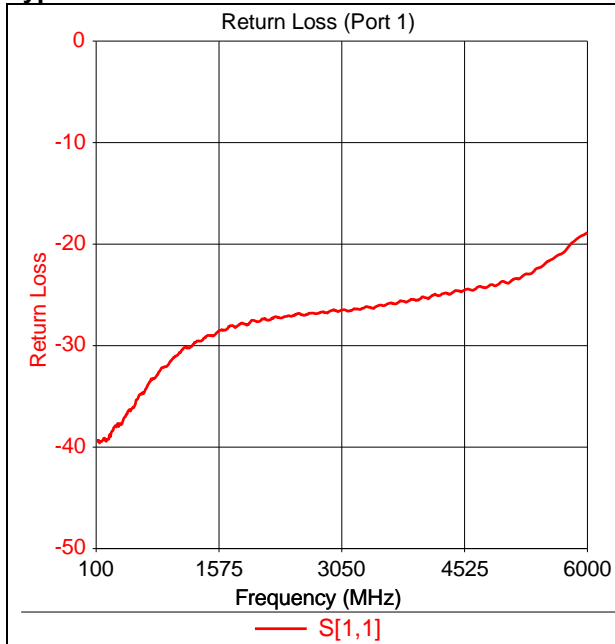
Features:

- RoHS Compliant
- 60 Watts
- DC – 6 GHz
- AlN Ceramic
- Non-Nichrome Resistive Element
- Low VSWR
- 100% Tested

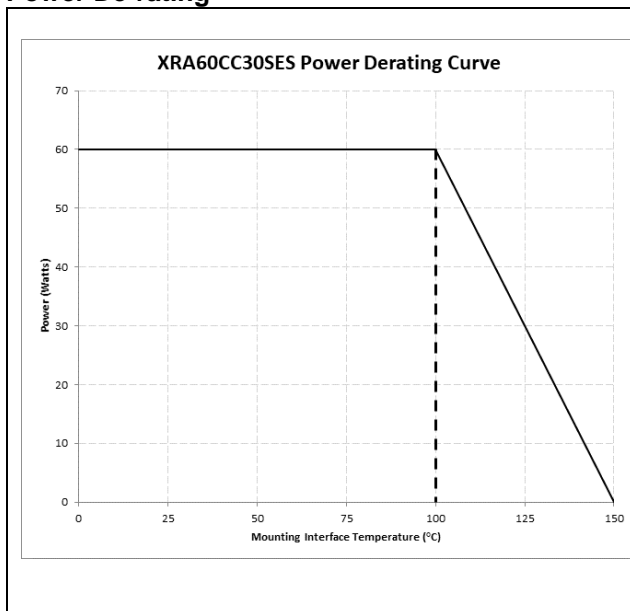
Outline Drawing



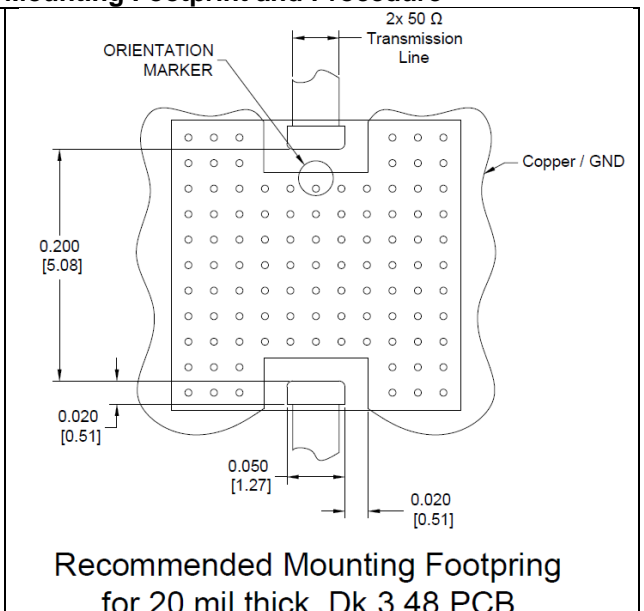
Typical Performance:



Power De-rating



Mounting Footprint and Procedure



Tape & Reel Information:
Unless otherwise specified dimensions are in mm.

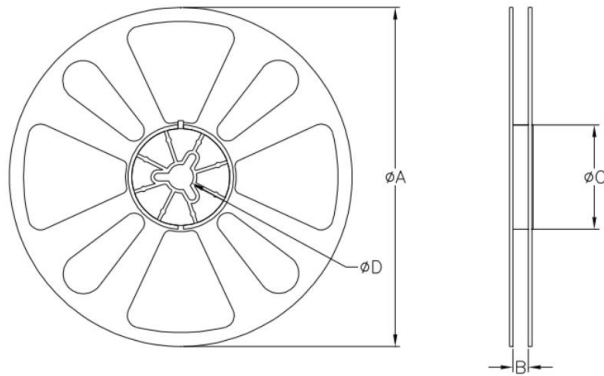


TABLE 1		
QUANTITY/REEL	REEL DIMENSIONS mm	
1000	ϕA	177.80
	B	12.00
	ϕC	50.80
	ϕD	13.00

