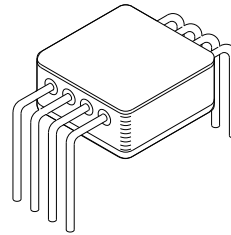
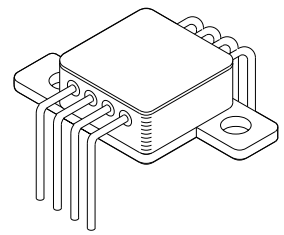
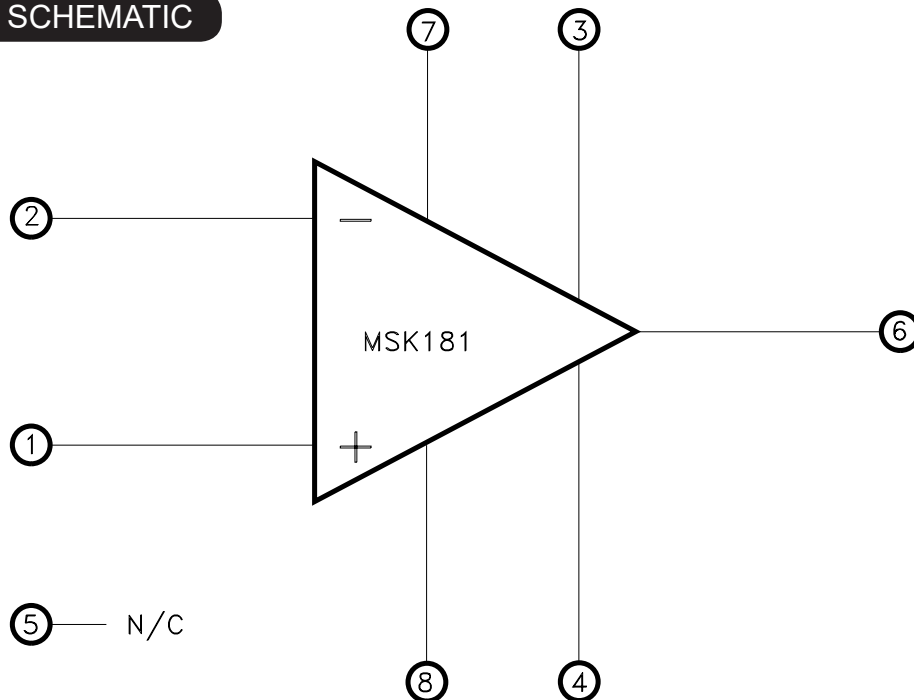


FEATURES:

- Available to DSCC SMD 5962-92152
- Low Cost
- High Voltage Operation:
 Single Supply: +8V to +60V
 Dual Supply: $\pm 4V$ to $\pm 30V$
- High Output Current: 3 Amp Continuous
- High Speed: $10V/\mu S$
- Low Quiescent Current: 20 mA Typ.
- Adjustable Current Limits
- Thermal Shutdown
- Monolithic Technology
- Enable/Status Pin For Output Disable Control


MSK181

MSK181Z
DESCRIPTION:

The MSK181 is a high power monolithic operational amplifier ideal for use with a wide variety of loads. With operation from either single or dual supplies, the MSK181 offers excellent design flexibility. Power dissipation is kept to a minimum with a quiescent current rating of only 20mA, while 3 Amps of continuous available output current makes the MSK181 a very good low cost choice for motor drive circuits and audio amplification. The MSK181 is internally protected against current overloads and overtemperature conditions. Current limit can also be user-selected through the use of a resistor/potentiometer or voltage out/current out DAC. The MSK181 is packaged in a hermetically sealed 8 pin power dip and the MSK181Z is offered with bolt down tabs for applications that require heat sinking.

EQUIVALENT SCHEMATIC

TYPICAL APPLICATIONS

- Servo Driver
- Actuator Driver
- Audio Amplifier
- Power Supplies

PIN-OUT INFORMATION

1	+VIN	8	-VCC
2	-VIN	7	+VCC
3	ILIM	6	OUTPUT
4	E/S	5	N/C

ABSOLUTE MAXIMUM RATINGS

⑧

VCC	Total Supply Voltage.....	60V
±I _{OUT}	Output Current (Continuous).....	3A (See SOA Curve)
V _{IND}	Input Voltage (Differential).....	±29.5V
V _{IN}	Input Voltage (Common Mode).....	+27V/-29V
T _J	Junction Temperature.....	Internal Protection (See Application Note)

T _{ST}	Storage Temperature Range.....	⑨ -65°C to +150°C
T _{LD}	Lead Temperature Range (10 Seconds).....	300°C
T _C	Case Operating Temperature MSK181G (See Note 6).....	-40°C to +125°C
	MSK181.....	-25°C to +85°C
R _{TH}	Thermal Resistance Junction to Case.....	2.5°C/W

ELECTRICAL SPECIFICATIONS

Parameter ⑥	Test Conditions ①	Group A Subgroup	MSK181G			MSK181			Units
			Min.	Typ.	Max.	Min.	Typ.	Max.	
STATIC									
Supply Voltage Range ②		-	±4	-	±30	±4	-	±30	V
Quiescent Current	V _{IN} = 0V	1	-	±17	±20	-	±17	±23	mA
		2, 3	-	±19	±23	-	-	-	mA
Quiescent Current	Shutdown Mode V _{IN} = 0V	-	-	±6	-	-	±6	-	mA
INPUT									
Input Offset Voltage	V _{IN} = 0V	1	-	±2	±10	-	±2	±15	mV
Input Offset Voltage Drift	V _{IN} = 0V	-	-	±30	-	-	±30	-	µV/°C
Input Bias Current ②	V _{IN} = 0V	1	-	±100	±500	-	±100	±750	nA
Input Offset Current ②	V _{IN} = 0V	1	±1	±5	±50	-	±5	±75	nA
Input Impedance	f = DC	-	-	10 ⁷	-	-	10 ⁷	-	Ω
Input Capacitance	f = DC	-	-	6	-	-	6	-	pF
Common Mode Rejection Ratio ②	(-VCC) -0.1 ≤ V _{IN} ≤ (+VCC) -3V	1	80	95	-	75	95	-	dB
Input Voltage Noise Density	f = 1KHz	-	-	90	-	-	90	-	nV/√Hz
OUTPUT									
Output Voltage Swing	I _{OUT} = 0.6A	1	±27	±28	-	±26	±28	-	V
	I _{OUT} = 3.0A	1	±25.5	±26	-	±24	±26	-	V
Output Current	DC = Continuous	1	±3	-	-	±3	-	-	A
Current Limit	RCL = 34KΩ 0.1%	1	1.350	1.5	1.650	1.350	1.5	1.650	A
Shutdown Input ②	V _{E/S} High - Output Enabled E/S Open or High	4	-27.5	-	-	-27.5	-	-	V
	V _{E/S} Low - Output Disabled E/S Forced Low	4	-	-	-29	-	-	-29	V
	I _{E/S} High - Output Enabled E/S Open or High	-	-	-65	-	-	-65	-	µA
	I _{E/S} Low - Output Disabled E/S Forced Low	-	-	-70	-	-	-70	-	µA
Output Disable Time		-	-	1	-	-	1	-	µS
Output Enable Time		-	-	3	-	-	3	-	µS
TRANSFER CHARACTERISTICS									
Slew Rate	A _V = 1 V _{OUT} = 50V _{P-P} R _L = 500Ω	4	6.0	10	-	5.0	10	-	V/µS
Open Loop Voltage Gain ②	V _{OUT} = ±25V R _L = 1KΩ	4	90	98	-	88	98	-	dB
Settling Time ±0.1% ②	A _V = 10 50V Step	-	-	15	-	-	15=8	-	

NOTES:

- ① Unless otherwise specified ±VCC = ±30VDC and E/S pin is open.
- ② Devices shall be capable of meeting the parameter but need not to be tested. Typical parameters are for reference only.
- ③ Industrial grade devices shall be tested to subgroups 1 and 4 unless otherwise specified.
- ④ Military grade devices ('G' suffix) shall be 100% tested to subgroups 1, 2, 3 and 4.
- ⑤ Subgroup 1, 4 TA = TC = +25°C
2 TA = TC = +125°C
3 TA = TC = -40°C
- ⑥ Refer to SMD 5962-92152 for electrical parameters for devices purchased as such.
- ⑦ The operating temperature range is -55° to +125°C if the device is powered. The minimum cold start temperature is -40°C.
- ⑧ Continuous operation at or above absolute maximum ratings may adversely effect the device performance and/or life cycle.
- ⑨ Internal solder reflow temperature is 180°C, do not exceed.

APPLICATION NOTES

POWER SUPPLIES

The MSK181 maximum total supply voltage is specified as 60V. However, dual and unbalanced power supply operation is permissible as long as total supply voltage does not exceed 60V.

POWER SUPPLY BYPASSING

Power supply terminals must be effectively decoupled with a high and low frequency bypass circuit to avoid power supply induced oscillation. An effective decoupling scheme consists of a 0.1µF ceramic capacitor in parallel with a 10µF tantalum capacitor for each power supply pin to ground. In addition, it is recommended that a 0.01µF capacitor be placed between ±VCC as close to the MSK181 as possible.

CURRENT LIMIT

The MSK181 offers accurate, user-selectable current limit. Unlike typical designs that use a power resistor in series with the output to sense load, the MSK181 senses the load indirectly and therefore does not require a resistor to handle the full output current. Current limit is selected by controlling the input to the I_{LIM} pin.

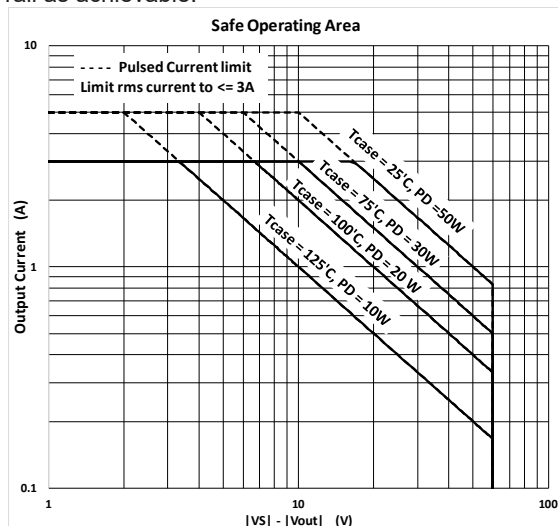
The easiest method is to use a resistor or potentiometer connected between -VCC and the I_{LIM} pin. Use the following equation to select proper resistor value:

$$R_{CC} = \frac{71,250}{I_{LIM}} - 13.75K\Omega$$

A low level control signal (0-330µA) can also be used to control the current level digitally. If the pin is left open, the current is programmed to OA, while connecting I_{LIM} directly to -VCC sets the output current to it's maximum, typically 5A.

SAFE OPERATING AREA

The safe operating area curve is a graphical representation of the power handling capability of the amplifier under various conditions. Power dissipation of the device is equal to the product of the voltage across the output transistor times the output current. Safe operating current decreases with an increase in temperature as well as an increase in the voltage across the output transistor. Therefore, for maximum amplifier performance it is important to keep case temperature as low as possible and to keep ±VCC as close to the output rail as achievable.



THERMAL PROTECTION

The MSK181 is equipped with thermal protection circuitry that protects the amplifier from damage caused by excessive junction temperature. The output is disabled when the junction temperature reaches approximately 160°C. After the junction temperature cools to approximately 140°C, the output is again enabled. The thermal protection may cycle on and off depending on the output load and signal conditions; this may have an undesirable effect on the load.

It should be noted that even though this internal protection circuitry does protect against overload conditions, it does not take the place of proper heat sinking. For reliable operation, junction temperature should be limited to 150°C, maximum.

ENABLE/STATUS PIN

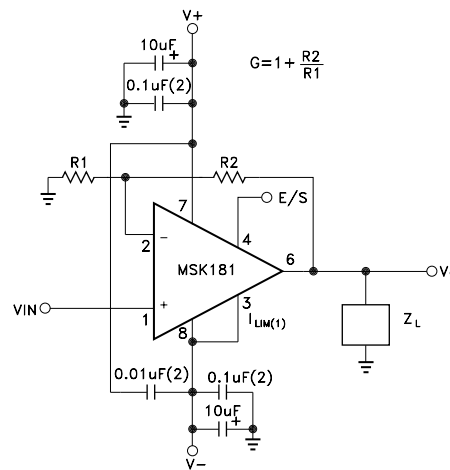
This pin actually has a dual function. First, when the pin is forced low, the output stage is disabled. Second, it can be monitored to determine if the device is in thermal shutdown. These functions can be used on the same device with either single or dual supplies. For normal operation, the E/S pin must be left open or pulled to at least 2.4 volts above the negative rail. In noisy applications, a small value capacitor between the E/S pin and -VCC may be required.

To disable the output, the user must pull the E/S pin low, no greater than 0.8V above -VCC. To once again enable the device, the E/S pin must be brought to at least 2.4 volts above -VCC or disconnected. It should be noted that when the E/S pin is high, the internal thermal shutdown is still active.

If the E/S pin is used to monitor thermal shutdown, during normal operation the voltage on the E/S pin is typically 3.5V above -VCC. Once shutdown has occurred this voltage will drop to approximately 350mV above -VCC.

COMPENSATION

For normal operation output compensation is not typically required. However, if the MSK181 is intended to be driven into current limit the user may find that an R/C network is required. A snubber network from the output to ground will provide stability. If driving large capacitive or inductive loads, a snubber network will also enhance stability. Typically 3Ω to 10Ω in series with 0.01µF is acceptable.

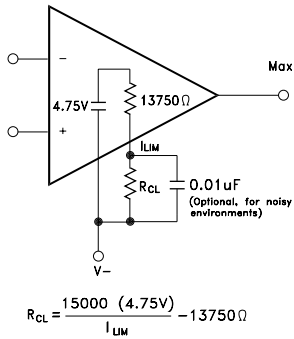


NOTE: (1) I_{LIM} connected to V- achieves the maximum current limit, 5A(peak). (2) Connect capacitors directly to package power supply pins.

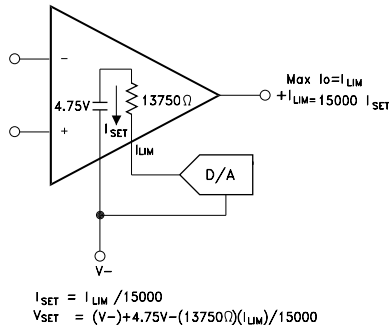
TYPICAL CONNECTION DIAGRAM

APPLICATION NOTES

RESISTOR METHOD



DAC METHOD (Current or voltage)



DESIRED CURRENT LIMIT	RESISTOR(1) (R _{CL})	CURRENT (I _{SET})	VOLTAGE (V _{SET})
0A	I _{LIM} Open	0uA	(V-)+4.75V
1A	57.6KΩ	67uA	(V-)+3.8V
2.5A	14.7KΩ	167uA	(V-)+2.5V
3A	10KΩ	200uA	(V-)+2V
4A	4.02KΩ	267uA	(V-)+1.1V
5A	I _{LIM} Connected to V-	333uA	(V-)

NOTE: (1) Resistors are nearest standard 1% values.

Figure 1
Adjustable Current Limit

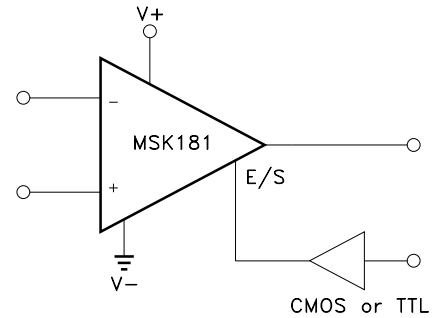


Figure 2
Output Disable with a Single Supply

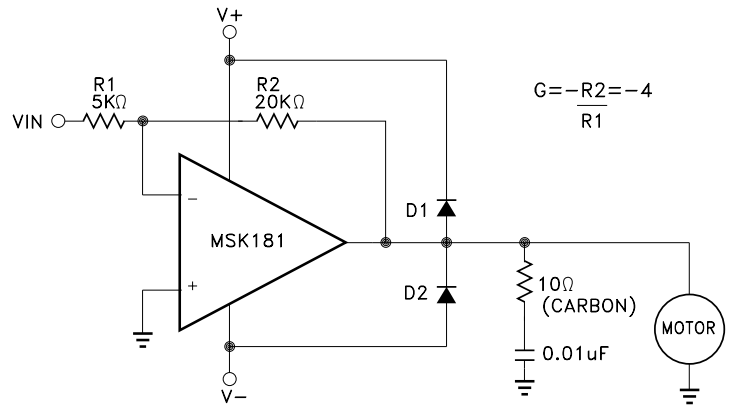


Figure 4
Motor Drive Circuit

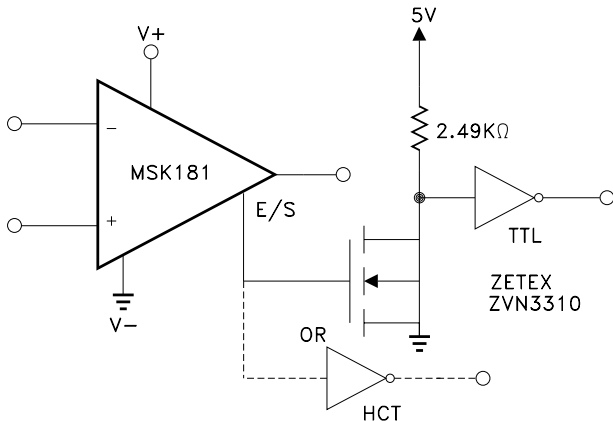
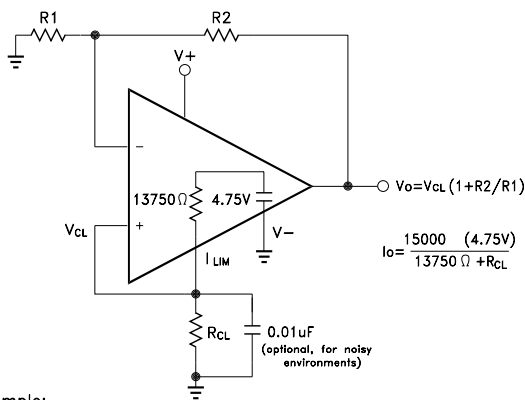


Figure 3
Thermal Shutdown Status with a Single Supply



For Example:
 If $I_{LIM} = 3A$, $R_{CL} = 10K\Omega$
 $V_{CL} = \frac{10K\Omega \cdot 4.75V}{(10K\Omega + 13750\Omega)} = 2V$
 Desired $V_o = 20V, G = \frac{20}{2} = 10$
 $R1 = 1K\Omega$ and $R2 = 9K\Omega$

Figure 5
Voltage Source

Uses voltage developed at I_{LIM} pin as a moderately accurate reference voltage.

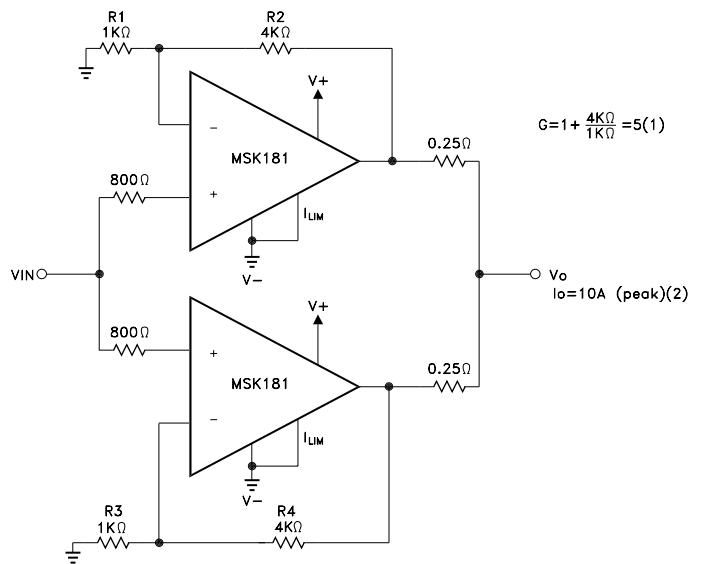
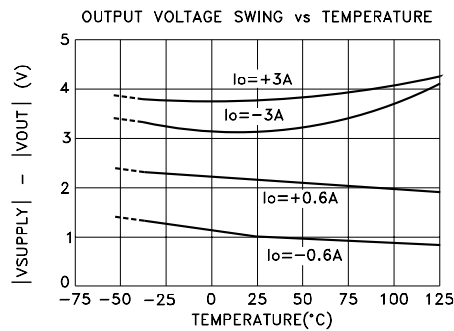
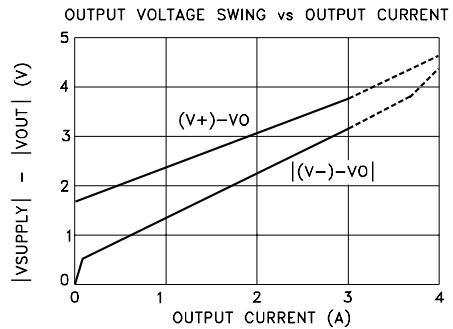
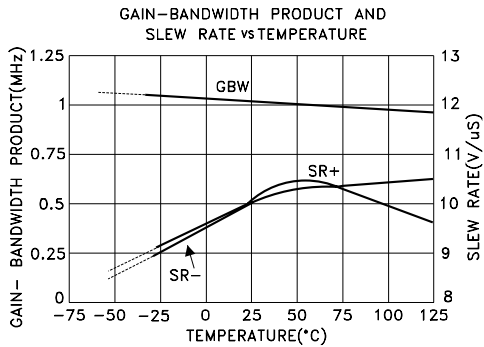
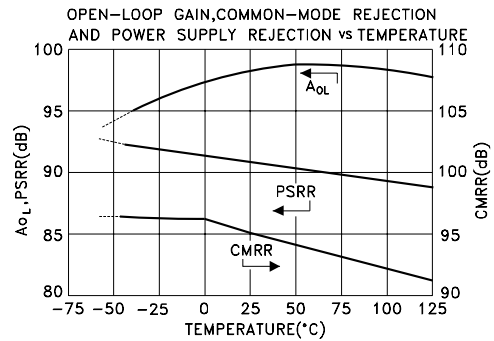
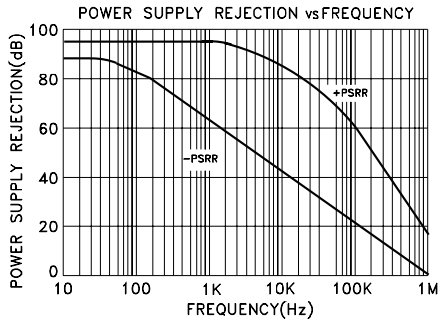
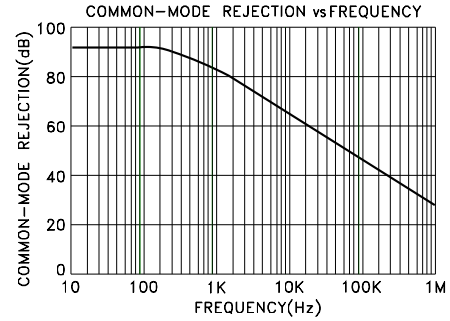
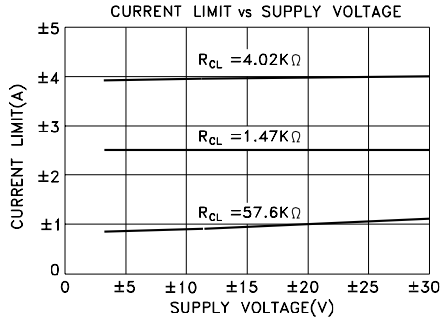
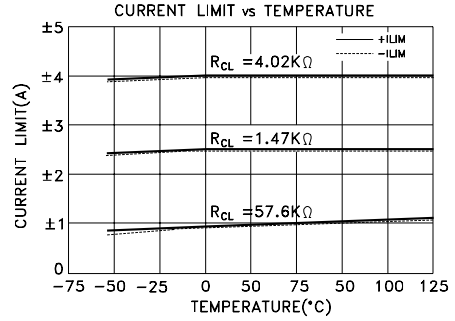
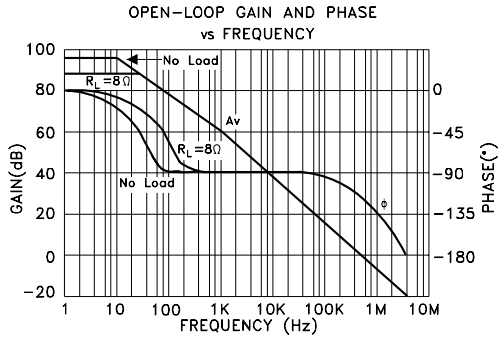
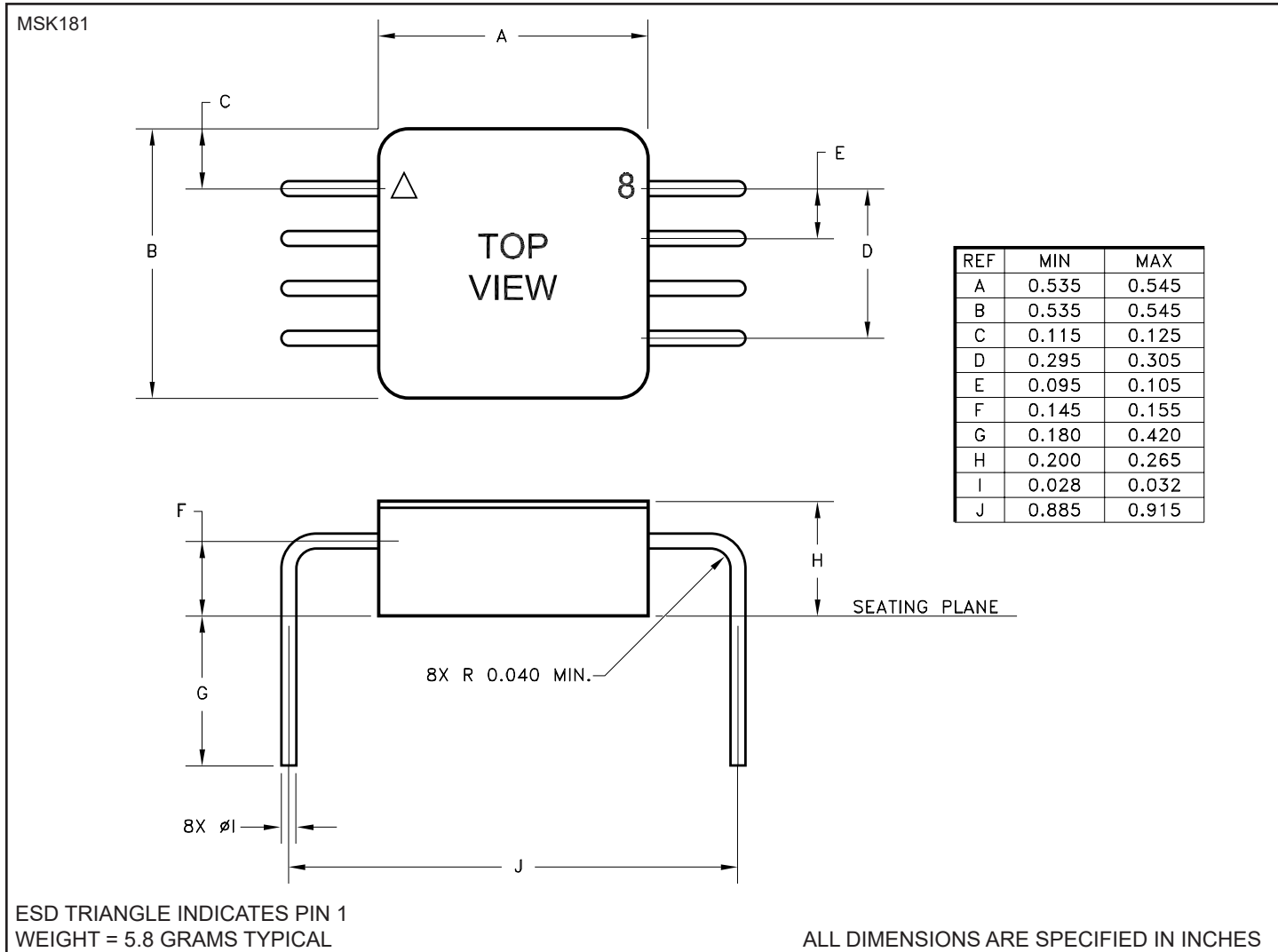


Figure 6
Parallel Output for Increased Output Current

TYPICAL PERFORMANCE CURVES



MECHANICAL SPECIFICATIONS

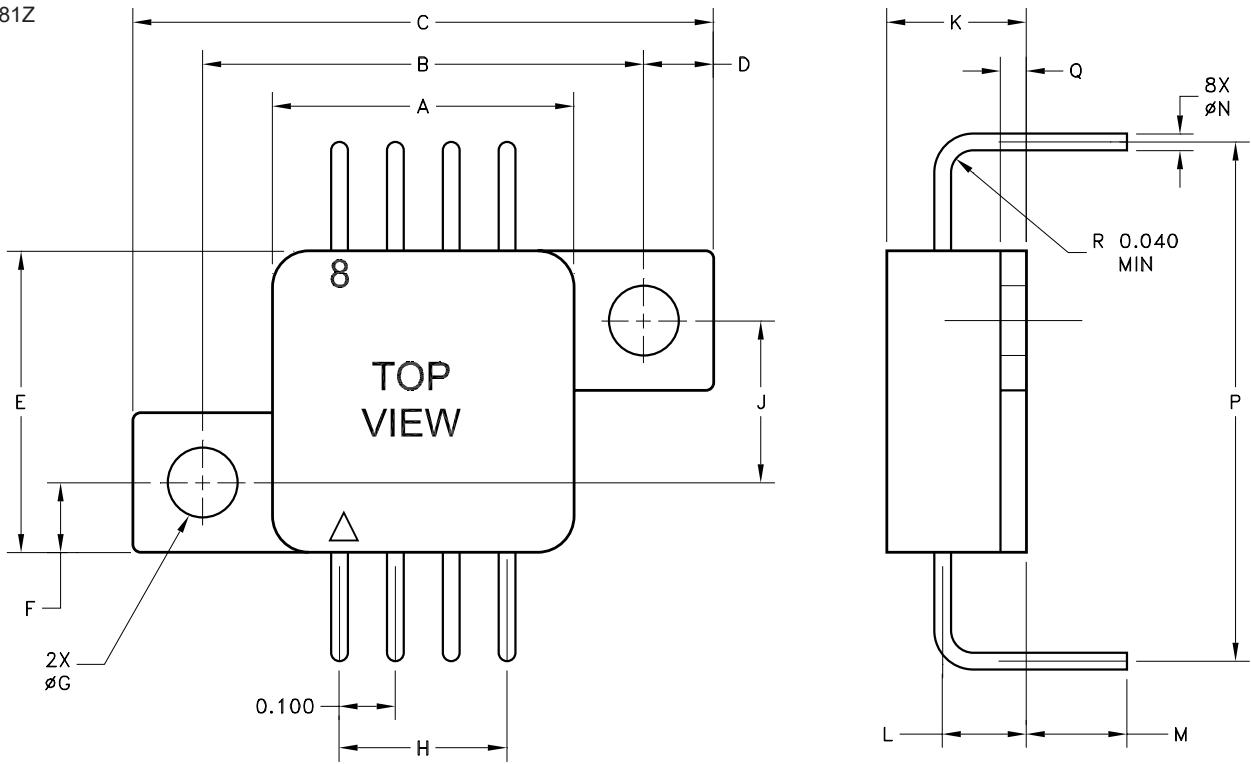


ORDERING INFORMATION

Part Number	Screening Level
MSK181	Industrial
MSK181G	MIL-PRF-38534 Class G (REDUCED TEMP RANGE)
5962-92152	DSCC SMD

MECHANICAL SPECIFICATIONS

MSK181Z



REF	MIN	MAX
A	0.535	0.545
B	0.785	0.795
C	1.035	1.045
D	0.120	0.130
E	0.535	0.545
F	0.120	0.130
G	0.120	0.130
H	0.295	0.305
J	0.285	0.295
K	0.200	0.265
L	0.145	0.155
M	0.180	
N	0.028	0.032
P	0.895	0.905
Q	0.035	0.055

ESD TRIANGLE INDICATES PIN 1
WEIGHT = 5.8 GRAMS TYPICAL

ALL DIMENSIONS ARE SPECIFIED IN INCHES

ORDERING INFORMATION

Part Number	Screening Level
MSK181	Industrial
MSK181G	MIL-PRF-38534 Class G (REDUCED TEMP RANGE)
5962-92152	DSCC SMD

REVISION HISTORY

REV	STATUS	DATE	DESCRIPTION
M	Released	08/14	Format update, add internal note and clarify mechanical specifications
N	Released	06/19	Clarify maximum current rating and SOA curves; update format

ANAREN, MSK Products
www.anaren.com/msk

The information contained herein is believed to be accurate at the time of printing. Anaren, MSK products reserves the right to make changes to its products or specifications without notice, however and assumes no liability for the use of its products.
Please visit our website for the most recent revision of this datasheet.